



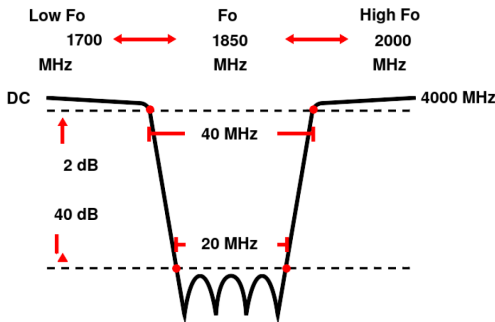
Digitally Tunable Band Reject / Notch Filter

WTRCT10-1700-2000-20-40-40SSM

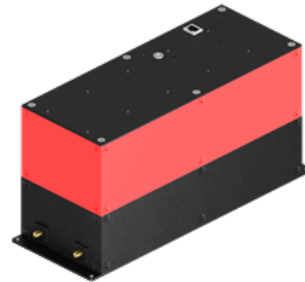
Tuning Range 1700 to 2000 MHz Bandwidth 20 MHz Slopes 10 MHz Attenuation 40 dB min.

Passband	DC to $F_o - 20$ MHz and $F_o + 20$ to 4000 MHz
Insertion Loss	1.25 dB max. at F_o (2 dB max. at Corners)
Return Loss	12 dB min. (VSWR 1.67:1 max.)
Stopband	20 MHz bandwidth tunable from 1700 to 2000 MHz
Stopband Attenuation	40 dB min.
Operating Temperature	15 °C to 40 °C
Power Handling	will be quoted on request (See our warranty)
Dimensions (L x W x H)	max. 330 x 120 x 160 mm (connectors may protrude)
Approx. Weight	7.5 kg
Mounting Provision	15 mm flanges on both ends with 5.8 mm holes
Connector 1	SMA - Female
Connector 2	SMA - Female
Tuning Time	Approx. 2-6 seconds
Power Consumption	40 W standby, 100 W tuning
Supply Voltage	23-32 V DC
Lifetime	> 50000 tunings
Interface	Ethernet-Lan / WiTunes

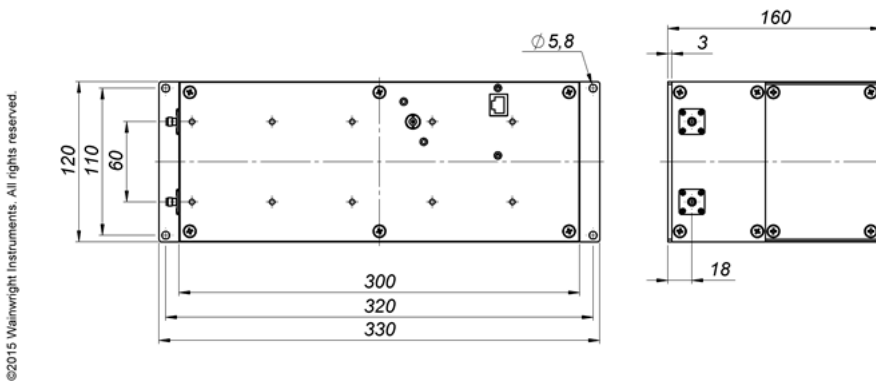
Typical Performance



10 Section Cavity Design



Technical drawing



Connector Options:

- SMA - Female
- SMA - Male
- N - Female
- N - Male
- BNC - Female
- BNC - Male

Unit prices

1-4 pieces	5-9 pieces	10-24 pieces	25-49 pieces	50-99 pieces	100+ pieces
6890 €	6546 €	6201 €	5857 €	5512 €	5168 €

Delivery Terms

FCA Andechs (free carrier) according to Incoterms 2020. Regarding payment terms and warranty see Terms and Conditions. Delivery time: normally 4 to 6 weeks - depending on quantity ordered and on our work load. **Customer is responsible for observing all applicable export laws in regard to filter application and location of end user.**

Wainwright Instruments GmbH
Graf-Rasso-Street. 1
82346 Andechs
Germany

Contact
Phone: +49 (0) 8152 918230
Telefax: +49 (0) 8152 918255
Email: info@wainwright-filters.com

Legal notes
Managing director: Terence Wainwright
Registering court: Amtsgericht München Abt.B Nr. 58192
VAT Id number: DE 128249711