



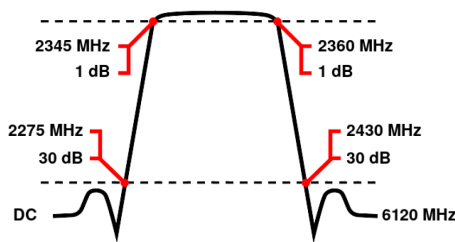
Band Pass Filter

WBCJV3-2275-2345-2360-2430-30SS

Passband 2345 to 2360 MHz Slopes 70 MHz Bandwidth 15 MHz Attenuation 30 dB min.

Passband	2352.5 (Fo) ± 7.5 MHz = 2345 to 2360 MHz
Insertion Loss	0.8 dB max. at Fo (1 dB max. at Corners)
Return Loss	14 dB min. (VSWR 1.5:1 max.)
Stopband	DC to 2275 MHz and 2430 to 6120 MHz
Stopband Attenuation	30 dB min.
Operating Temperature	15 °C to 45 °C
Power Handling	will be quoted on request (See our warranty)
Dimensions (L x W x H)	max. 80 x 20 x 40.5 mm (connectors may protrude)
Approx. Weight	0.1 kg
Mounting Provision	7.5 mm flanges on both ends with 3.3 mm holes
Connector 1	SMA - Female
Connector 2	SMA - Female

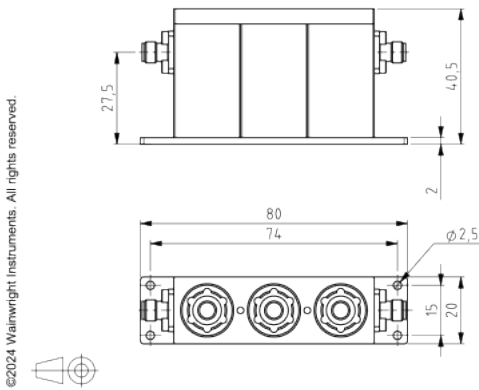
Typical Performance



3 Section Cavity Design



Technical drawing



Connector Options:

- SMA - Female
- SMA - Male
- N - Female
- N - Male
- BNC - Female
- BNC - Male

Unit prices

1-4 pieces
1190 €

5-9 pieces
1131 €

10-24 pieces
1071 €

25-49 pieces
1012 €

50-99 pieces
952 €

100+ pieces
893 €

Delivery Terms

FCA Andechs, Germany, Incoterms 2020

Customer is responsible for observing all applicable export laws in regard to filter application and location of end user.

Wainwright Instruments GmbH

Graf-Rasso-Street. 1
82346 Andechs
Germany

Contact

Phone: +49 (0) 8152 918230
Telefax: +49 (0) 8152 918255
Email: info@wainwright-filters.com

Legal notes

Managing director: Terence Wainwright
Registering court: Amtsgericht München Abt.B Nr. 58192
VAT Id number: DE 128249711