



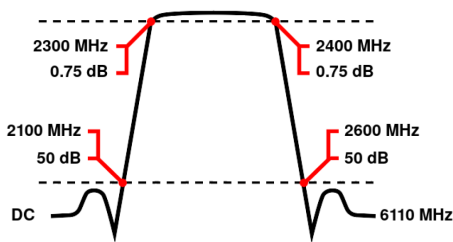
Band Pass Filter

WBCGV5-2100-2300-2400-2600-50SS

Passband 2300 to 2400 MHz Slopes 200 MHz Bandwidth 100 MHz Attenuation 50 dB min.

Passband	2350 (Fo) ± 50 MHz = 2300 to 2400 MHz
Insertion Loss	0.65 dB max. at Fo (0.75 dB max. at Corners)
Return Loss	14 dB min. (VSWR 1.5:1 max.)
Stopband	DC to 2100 MHz and 2600 to 6110 MHz
Stopband Attenuation	50 dB min.
Operating Temperature	15 °C to 45 °C
Power Handling	will be quoted on request (See our warranty)
Dimensions (L x W x H)	max. 150 x 30 x 55 mm (connectors may protrude)
Approx. Weight	0.5 kg
Mounting Provision	10 mm flanges on both ends with 3.3 mm holes
Connector 1	SMA - Female
Connector 2	SMA - Female

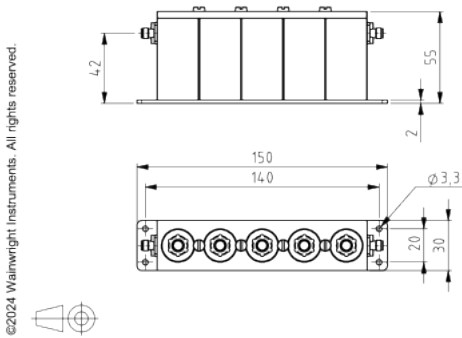
Typical Performance



5 Section Cavity Design



Technical drawing



Connector Options:

- SMA - Female
- SMA - Male
- N - Female
- N - Male
- BNC - Female
- BNC - Male

Unit prices

1-4 pieces
1490 €

5-9 pieces
1416 €

10-24 pieces
1341 €

25-49 pieces
1267 €

50-99 pieces
1192 €

100+ pieces
1118 €

Delivery Terms

FCA Andechs (free carrier) according to Incoterms 2020. Regarding payment terms and warranty see Terms and Conditions. Delivery time: normally 4 to 6 weeks - depending on quantity ordered and on our work load. **Customer is responsible for observing all applicable export laws in regard to filter application and location of end user.**

Wainwright Instruments GmbH
Graf-Rasso-Street. 1
82346 Andechs
Germany

Contact
Phone: +49 (0) 8152 918230
Telefax: +49 (0) 8152 918255
Email: info@wainwright-filters.com

Legal notes
Managing director: Terence Wainwright
Registering court: Amtsgericht München Abt.B Nr. 58192
VAT Id number: DE 128249711