



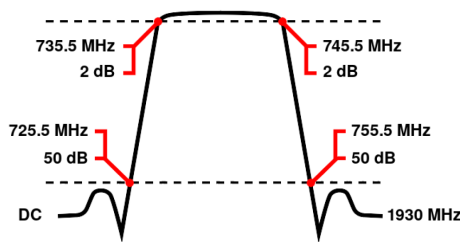
Band Pass Filter

WBCGV6-725.5-735.5-745.5-755.5-50SS

Passband 735.5 to 745.5 MHz Slopes 10 MHz Bandwidth 10 MHz Attenuation 50 dB min.

Passband	740.5 (Fo) ± 5 MHz = 735.5 to 745.5 MHz
Insertion Loss	1.5 dB max. at Fo (2 dB max. at Corners)
Return Loss	14 dB min. (VSWR 1.5:1 max.)
Stopband	DC to 725.5 MHz and 755.5 to 1930 MHz
Stopband Attenuation	50 dB min.
Operating Temperature	15 °C to 45 °C
Power Handling	will be quoted on request (See our warranty)
Dimensions (L x W x H)	max. 205 x 30 x 115 mm (connectors may protrude)
Approx. Weight	1.1 kg
Mounting Provision	10 mm flanges on both ends with 3.3 mm holes
Connector 1	SMA - Female
Connector 2	SMA - Female

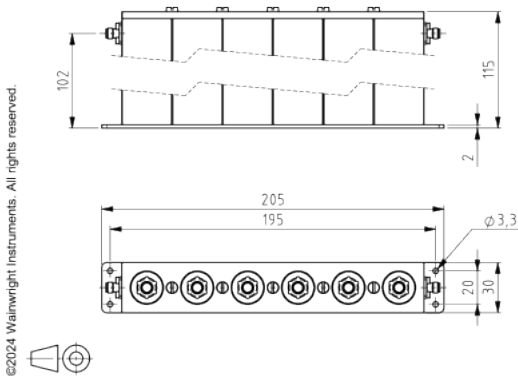
Typical Performance



6 Section Cavity Design



Technical drawing



Connector Options:

- SMA - Female
- SMA - Male
- N - Female
- N - Male
- BNC - Female
- BNC - Male

Unit prices

1-4 pieces
1590 €

5-9 pieces
1511 €

10-24 pieces
1431 €

25-49 pieces
1352 €

50-99 pieces
1272 €

100+ pieces
1193 €

Delivery Terms

FCA Andechs, Germany, Incoterms 2020

Customer is responsible for observing all applicable export laws in regard to filter application and location of end user.

Wainwright Instruments GmbH
 Graf-Rasso-Street. 1
 82346 Andechs
 Germany

Contact
 Phone: +49 (0) 8152 918230
 Telefax: +49 (0) 8152 918255
 Email: info@wainwright-filters.com

Legal notes
 Managing director: Terence Wainwright
 Registering court: Amtsgericht München Abt.B Nr. 58192
 VAT Id number: DE 128249711