



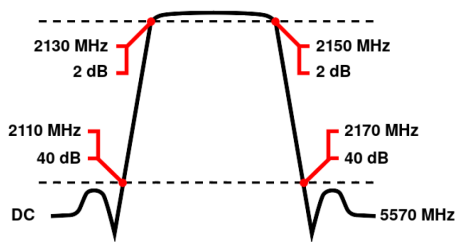
# Band Pass Filter

## WBCGV6-2110-2130-2150-2170-40SS

Passband 2130 to 2150 MHz Slopes 20 MHz Bandwidth 20 MHz Attenuation 40 dB min.

<b>Passband</b>	2140 (Fo) ± 10 MHz = 2130 to 2150 MHz
<b>Insertion Loss</b>	1.5 dB max. at Fo (2 dB max. at Corners)
<b>Return Loss</b>	14 dB min. (VSWR 1.5:1 max.)
<b>Stopband</b>	DC to 2110 MHz and 2170 to 5570 MHz
<b>Stopband Attenuation</b>	40 dB min.
<b>Operating Temperature</b>	15 °C to 45 °C
<b>Power Handling</b>	will be quoted on request (See our <a href="#">warranty</a> )
<b>Dimensions (L x W x H)</b>	max. 175 x 30 x 55 mm (connectors may protrude)
<b>Approx. Weight</b>	0.65 kg
<b>Mounting Provision</b>	10 mm flanges on both ends with 3.3 mm holes
<b>Connector 1</b>	SMA - Female
<b>Connector 2</b>	SMA - Female

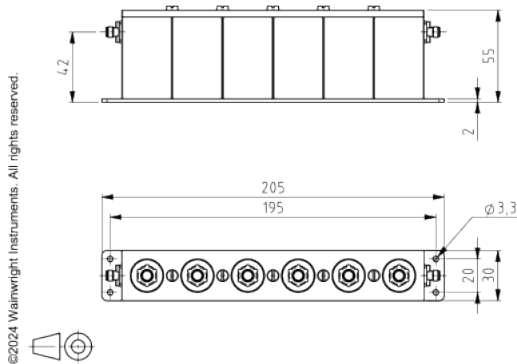
### Typical Performance



### 6 Section Cavity Design



### Technical drawing



#### Connector Options:

- SMA - Female
- SMA - Male
- N - Female
- N - Male
- BNC - Female
- BNC - Male

### Unit prices

1-4 pieces  
1590 €

5-9 pieces  
1511 €

10-24 pieces  
1431 €

25-49 pieces  
1352 €

50-99 pieces  
1272 €

100+ pieces  
1193 €

### Delivery Terms

FCA Andechs (free carrier) according to Incoterms 2020. Regarding payment terms and warranty see Terms and Conditions. Delivery time: normally 4 to 6 weeks - depending on quantity ordered and on our work load. **Customer is responsible for observing all applicable export laws in regard to filter application and location of end user.**

**Wainwright Instruments GmbH**  
Graf-Rasso-Street. 1  
82346 Andechs  
Germany

**Contact**  
Phone: +49 (0) 8152 918230  
Telefax: +49 (0) 8152 918255  
Email: [info@wainwright-filters.com](mailto:info@wainwright-filters.com)

**Legal notes**  
Managing director: Terence Wainwright  
Registering court: Amtsgericht München Abt.B Nr. 58192  
VAT Id number: DE 128249711