



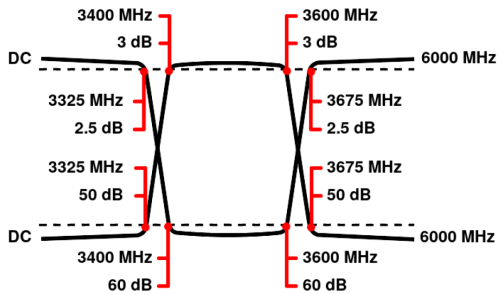
Absorptive Filter (BP/BR)

WACX12+12-DC-3325/3400-3600/3675-6000-50/60S3

Passband 1: DC to 3325 MHz Passband 2: 3400 to 3600 MHz Passband 3: 3675 to 6000 MHz

Passband	Band 2 (Band Pass) 3400 to 3600 MHz	Band 1 & 3 (Band Reject) DC to 3325 MHz && 3675 to 6000 MHz
Insertion Loss	3 dB max.	2.5 dB max.
Return Loss	14 dB min.	14 dB min.
Stopbands	DC to 3325 & 3675 to 6000 MHz	3400 to 3600 MHz
Stopband Attenuation	50 & 50 dB min.	60 dB min.
Operating Temperature	15 °C to 45 °C	
Power Handling	max. 100 W CW into a 2:1 VSWR (See our warranty)	
Dimensions (L x W x H)	max. 215 x 42.5 x 35.5 mm (connectors may protrude)	
Approx. Weight	1.3 kg	
Mounting Provision	8.5 mm flanges on both ends with 3.3 mm holes	
Connector Common	SMA - Female	
Connector 1	SMA - Female	
Connector 2	SMA - Female	

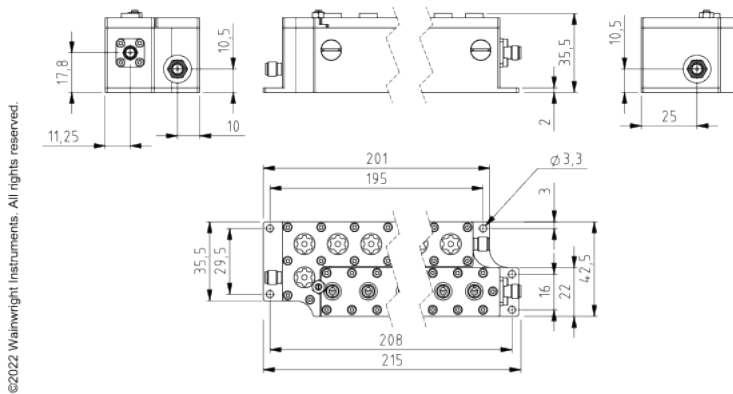
Typical Performance



12+12 Section Cavity Design



Technical drawing



Connector Options:

- SMA - Female
- SMA - Male
- N - Female

Unit prices

1-4 pieces	5-9 pieces	10-24 pieces	25-49 pieces	50-99 pieces	100- pieces
4380 €	4161 €	3942 €	3723 €	3504 €	3285 €

Delivery Terms

FCA Andechs (free carrier) according to Incoterms 2020. Regarding payment terms and warranty see Terms and Conditions. Delivery time: normally 4 to 6 weeks - depending on quantity ordered and on our work load. **Customer is responsible for observing all applicable export laws in regard to filter application and location of end user.**

Wainwright Instruments GmbH
 Graf-Rasso-Street. 1
 82346 Andechs
 Germany

Contact
 Phone: +49 (0) 8152 918230
 Telefax: +49 (0) 8152 918255
 Email: info@wainwright-filters.com

Legal notes
 Managing director: Terence Wainwright
 Registering court: Amtsgericht München Abt.B Nr. 58192
 VAT Id number: DE 128249711