



**Wainwright
Instruments GmbH**

Widdersberger Str.14
82346 Andechs, Germany
Tel.: +49-8152-918230 Fax: +49-8152-918255
E-Mail: info@wainwright-filters.com
Internet: www.wainwright-filters.com

Most of the larger filters are supplied with
Universal Mounting Provision

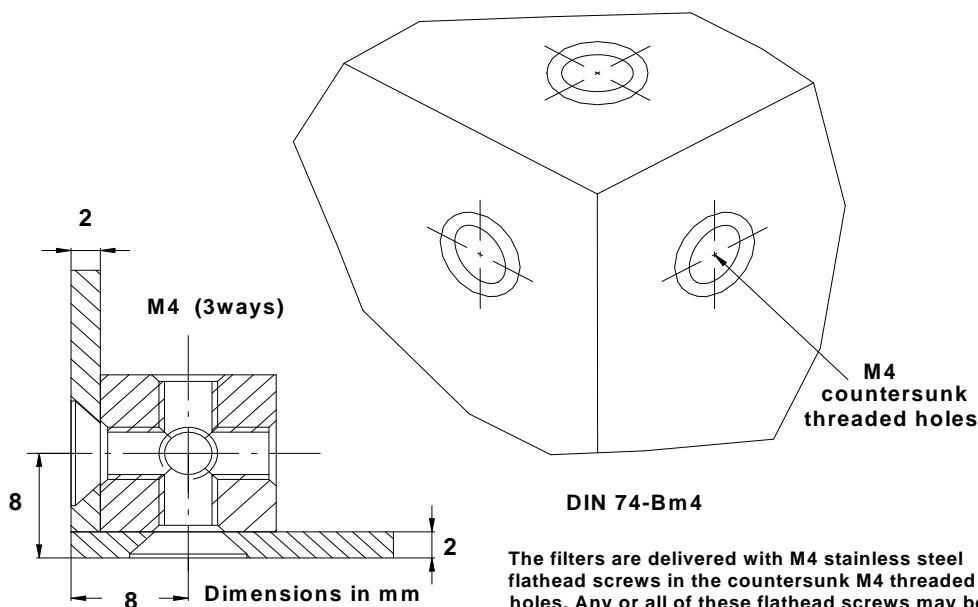
**Mechanical
Information
U M P - 1**

At least four sides of such filters have four countersunk threaded holes each, with M4 flathead screws, located in the corners, 8 mm from the edges, **max. 6 mm deep**. Any or all of these flathead screws may be removed and the threaded holes used to attach the filter to a front panel, to a chassis, with brackets, etc. Also, heat sinks can be attached to the filters in this way. That may be desirable if the filter handles high power or has to operate in a high temperature environment.

The screws used to mount the filter must have a side play. Do **NOT use countersunk screws for external attachment !**

Mounting the filter this way will not normally affect the filter performance. However, **it is strongly recommended that the filter is attached only with ONE side**. Mounting in a corner (on two sides) may cause undesired effects - such like frequency drift.

In very narrow and very steep **NOTCH FILTERS** mounting may cause a slight change of frequency. Unequal stresses or twisting should be avoided. If necessary, such very small change can be corrected by very careful re-adjustments of each resonator while observing the response on a network analyzer. We are happy to assist you if you experience difficulties.



The filters are delivered with M4 stainless steel flathead screws in the countersunk M4 threaded holes. Any or all of these flathead screws may be removed and the threaded holes used to attach the filter to a front panel, a chassis, with brackets, etc.