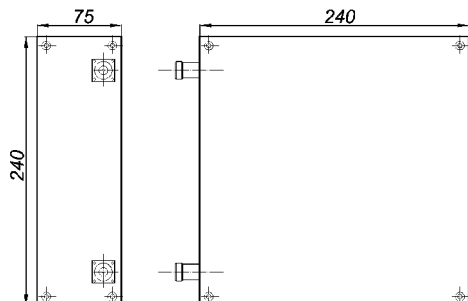
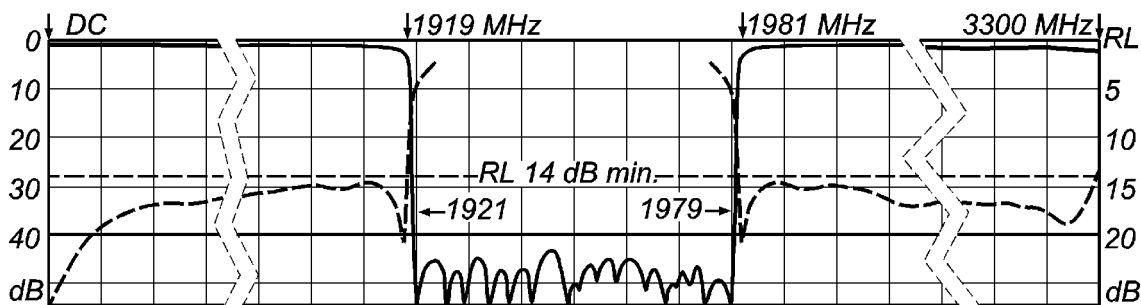




**Wainwright
Instruments GmbH**

Widdersberger Str.14
D82346 Andechs, Germany
 Tel.: +49-8152-918230 Fax: +49-8152-918255
 E-Mail: info@wainwright-filters.com
 Internet: www.wainwright-filters.com

12+9 Resonator Ultra Stable Cavity Design WRCTF Series	Band Reject Filter Reject Band 1921 to 1979 MHz Passbands DC to 1919 & 1981 to 3300 MHz (add connector code - see below)	Model Number: WRCTF 1921/1979- 1919/1981-40/12+9
---	---	---



Dimensions:
 75 mm high x 240 mm wide
 240 mm long – plus connectors

Model Numbers:

WRCTF 1921/1979-1919/1981-40/12+9SS (= SMA-F Connectors)
 WRCTF 1921/1979-1919/1981-40/12+9EE (= N-F Connectors)



Approx. Weight:
 7 kg (15.4 lbs)

- 1 Slopes: 2 MHz / 40 dB**
- 1 Ultra Stable**
- 1 Very Flat Passband to 3300 MHz**

Specifications			
Reject Band:	1921 to 1979 MHz		
Reject Attenuation:	40 dB min.		
Passbands:	DC to 1919 MHz and 1981 to 3300 MHz		
Passband Loss:	2.5 dB max. except: 5 dB max. at passband corners		
Return Loss (50Ω) in Passband:	14 dB min. = VSWR 1.5 : 1 max.		
Operating Temperature:	+15°C to +40°C		
Dimensions & approx. Weight:	75 mm high x 240 x 240 mm plus connectors	Approx. Weight: 7 kg (15.4 lbs)	
Mounting Provision:	4 x M4 threaded holes each on all sides - see drawing UMP-1 (Website)		
Connector Code:	SMA-female = SS or N-female = EE - both connectors on <u>one</u> 75 x 240 mm surface		
Price Basis: see Ord. Inf., Terms, Warranty	PRICES:	Euro: Price based on shipment ex factory	US-\$: Price includes shipping, import charges and customs duty. *
When purchasing	1 – 4 pcs.	€3.200,-	<u>Will be quoted.</u>
Test Sheet with Analyzer Curves supplied.			
* Prices in US-\$ for shipments to the USA only. American customers are welcome to purchase at EURO-prices and carry postage/freight and import charges directly.			

Delivery Time: normally 4 to 6 weeks - depending on work load in the factory at time of order.