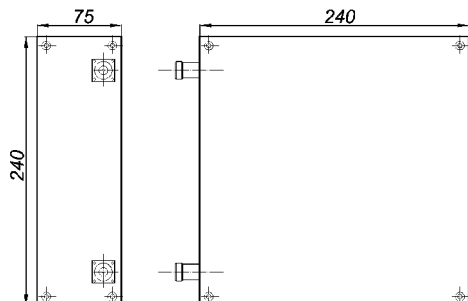
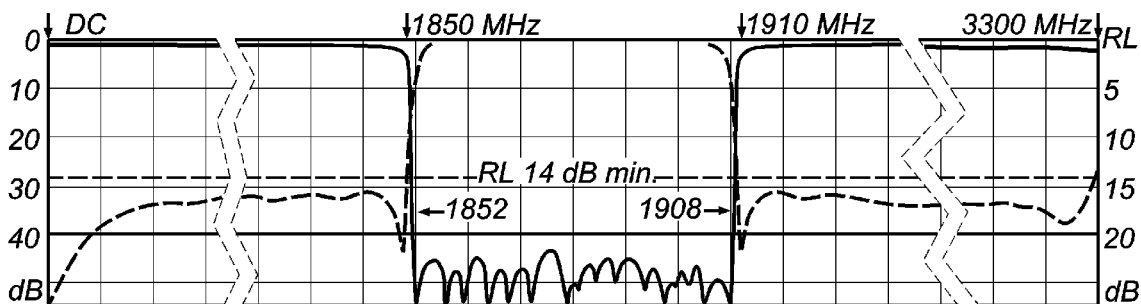




**Wainwright  
Instruments GmbH**

Widdersberger Str.14  
**D82346 Andechs, Germany**  
 Tel.: +49-8152-918230 Fax: +49-8152-918255  
 E-Mail: [info@wainwright-filters.com](mailto:info@wainwright-filters.com)  
 Internet: [www.wainwright-filters.com](http://www.wainwright-filters.com)

<b>12+9 Resonator</b> Ultra Stable Cavity Design <b>WRCTF Series</b>	<b>Band Reject Filter</b> Reject Band 1852 to 1908 MHz Passbands DC to 1850 & 1910 to 3300 MHz (add connector code - see below)	<b>Model Number:</b> <b>WRCTF 1852/1908- 1850/1910-40/12+9</b>
---	---	---



Dimensions:  
 75 mm high x 240 mm wide  
 240 mm long – plus connectors

**Model Numbers:**

WRCTF 1852/1908-1850/1910-40/12+9SS (= SMA-F Connectors)  
 WRCTF 1852/1908-1850/1910-40/12+9EE (= N-F Connectors)



Approx. Weight:  
 7 kg (15.4 lbs)

- 1 Slopes: 2 MHz / 40 dB**
- 1 Ultra Stable**
- 1 Very Flat Passband to 3300 MHz**

<b>Specifications</b>			
<b>Reject Band:</b>	1852 to 1908 MHz		
<b>Reject Attenuation:</b>	40 dB min.		
<b>Passbands:</b>	DC to 1850 MHz and 1910 to 3300 MHz		
<b>Passband Loss:</b>	2.5 dB max. except: 5 dB max. at passband corners		
<b>Return Loss (50Ω) in Passband:</b>	14 dB min. = VSWR 1.5 : 1 max.		
<b>Operating Temperature:</b>	+15°C to +40°C		
<b>Dimensions &amp; approx. Weight:</b>	75 mm high x 240 x 240 mm plus connectors	Approx. Weight: 7 kg ( 15.4 lbs)	
<b>Mounting Provision:</b>	4 x M4 threaded holes each on all sides - see drawing <a href="#">UMP-1</a> (Website)		
<b>Connector Code:</b>	SMA-female = <b>SS</b> or N-female = <b>EE</b> - both connectors on <u>one</u> 75 x 240 mm surface		
Price Basis: see Ord. Inf., Terms, Warranty	<b>PRICES:</b>	<b>Euro:</b> Price based on shipment ex factory	<b>US-\$:</b> Price includes shipping, import charges and customs duty. *
When purchasing	1 – 4 pcs.	<b>€3.200,-</b>	<b><u>Will be quoted.</u></b>
Test Sheet with Analyzer Curves supplied.			
* Prices in US-\$ for shipments to the USA only. American customers are welcome to purchase at EURO-prices and carry postage/freight and import charges directly.			

**Delivery Time:** normally 4 to 6 weeks - depending on work load in the factory at time of order.