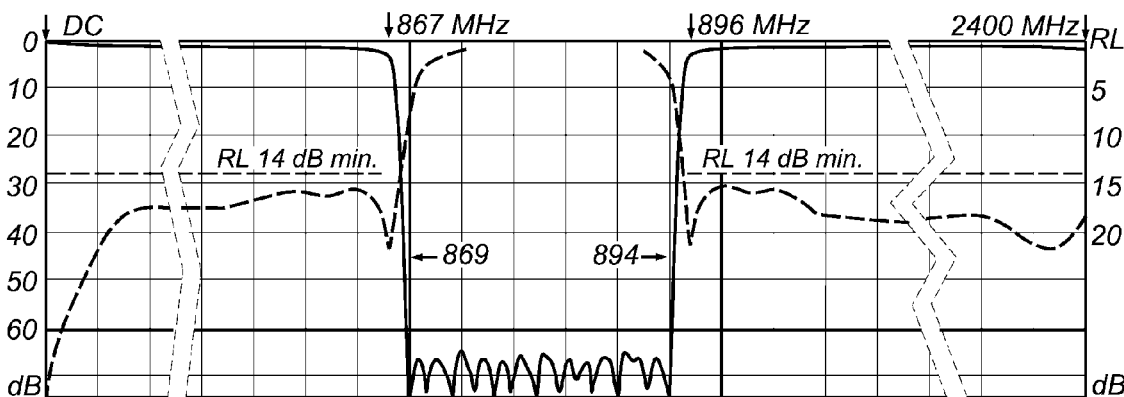




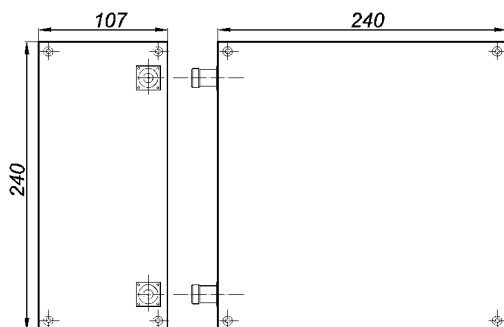
**Wainwright  
Instruments GmbH**

Widdersberger Str.14  
**D82346 Andechs, Germany**  
 Tel.: +49-8152-918230 Fax: +49-8152-918255  
 E-Mail: [info@wainwright-filters.com](mailto:info@wainwright-filters.com)  
 Internet: [www.wainwright-filters.com](http://www.wainwright-filters.com)

**12+9 Resonator** **Band Reject Filter** **Model Number:**  
*Ultra Stable* **WRCTF-869/894-**  
*Cavity Design* **Reject Band 869 to 894 MHz** **867/896-60/12+9**  
**WRCTF Series** **Passbands DC to 867 & 896 to 2400 MHz** (add connector code - see below)



Model Numbers: WRCTF 869/894-867/896-60/12+9SS (= SMA-F) OR: WRCTF 869/894-867/896-60/12+9EE (= N-F)



approx. weight: 9.1 kg (20 lbs.)



- 1 Step Slopes: 2 MHz / 60 dB**
- 1 Ultra Stable**
- 1 Very Flat Passband to 2400 MHz**

<b>Specifications</b>			
<b>Reject Band:</b>	869 to 894 MHz		
<b>Reject Attenuation:</b>	60 dB min.		
<b>Passbands:</b>	DC to 867 MHz and 896 to 2400 MHz		
<b>Passband Loss:</b>	2 dB max. <u>except:</u> 4 dB max. at passband corners		
<b>Return Loss (50Ω) in Passband:</b>	14 dB min. = VSWR 1.5 : 1 max.		
<b>Operating Temperature:</b>	+15°C to +40°C		
<b>Dimensions &amp; approx. Weight:</b>	107 mm high x 240 x 240 mm plus connectors	Approx. Weight: 9.1 kg (20 lbs)	
<b>Mounting Provision:</b>	4 x M4 threaded holes each on all sides - see drawing <a href="#">UMP-1</a> (Website)		
<b>Connector Code:</b>	SMA-female = <b>SS</b> or N-female = <b>EE</b> - both connectors on <u>one</u> 107 x 240 mm surface		
Price Basis: see Ord. Inf., Terms, Warranty	<b>PRICES:</b>	<b>Euro:</b> Price based on shipment ex factory	<b>US-<math>\\$</math>:</b> Price includes shipping, import charges and customs duty. *
When purchasing	1 - 4 pcs.	<b>€3.388,-</b>	<b><u>Will be quoted.</u></b>
Test Sheet with Analyzer Curves supplied.			
* Prices in US-\$ for shipments to the USA only. American customers are welcome to purchase at EURO-prices and carry postage/freight and import charges directly.			

**Delivery Time:** normally 4 to 6 weeks - depending on work load in the factory at time of order.