

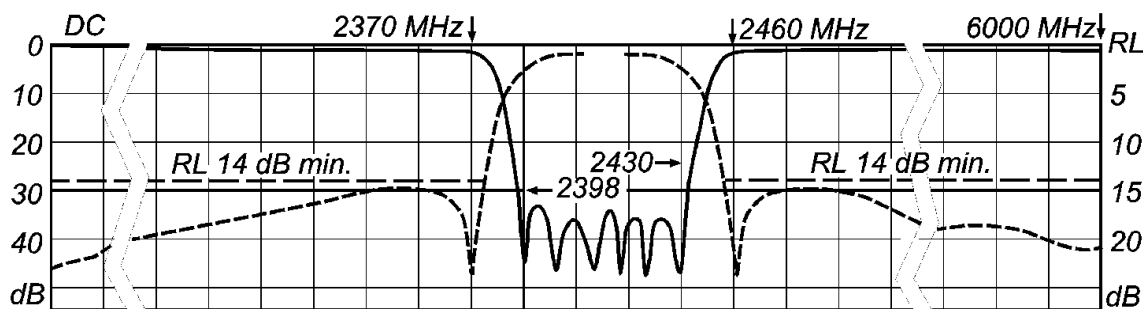


**Wainwright
Instruments GmbH**

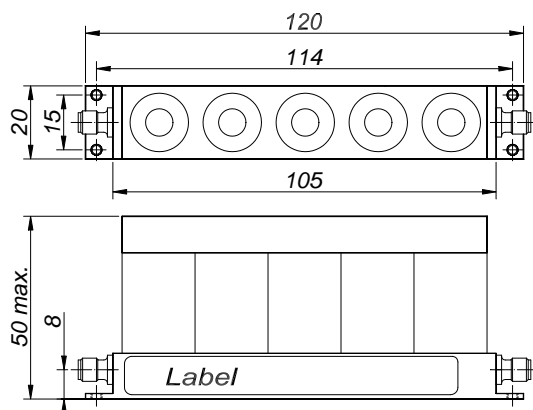
Widdersberger Str.14
82346 Andechs, Germany
 Tel.: +49-8152-918230 Fax: +49-8152-918255
 E-Mail: info@wainwright-filters.com
 Internet: www.wainwright-filters.com

5 Resonator Cavity Design WRCJV Series	<h2>Band Reject Filter</h2>	Model Number: WRCJV 2398/2430-2370/2460-30/5
	Reject Band 2398 to 2430 MHz Passbands DC to 2370 & 2460 to 6000 MHz	(add connector code - see below)

- Slopes: 28/30 MHz / 30 dB
- Very Flat Passband to 6000 MHz



Model Numbers: WRCJV 2398/2430-2370/2460-30/5SS (= SMA-F) WRCJV 2398/2430-2370/2460-30/5EE (= N-F)



Specifications		
Reject Band:	2398 to 2430 MHz	
Reject Attenuation:	30 dB min.	
Passbands:	DC to 2370 MHz and 2460 to 6000 MHz	
Passband Loss:	1.0 dB max. including passband corners 2370 MHz and 2460 MHz	
Return Loss (50Ω) in Passband:	14 dB min. = VSWR 1.5 max.	
Operating Temperature:	+15°C to +40°C	
Dimensionst:	50 mm high (max.) x 20 x 105 mm plus flanges & connectors	Approx. Weight: 0.3 kg (0.66 lbs)
Mounting Provision:	7.5 mm flanges on each end with M3 threaded holes	
Connector Code:	SMA-female = SS or N-female = EE	
Prices: When purchasing 1 - 4 pcs.	Euro: € 626,--	US-\$: <u>Will be quoted.</u>
Delivery Terms:	FCA Andechs-Frieding (free carrier) according to Incoterms 2000 . In Deutschland liefern wir frachtfrei gemäß CPT Incoterms 2000 (unversichert). Regarding payment terms and Warranty see Terms and Conditions .	
Test Sheet with Analyzer Curves supplied.		

Delivery Time: normally 3 to 4 weeks - depending on work load in the factory at time of order.