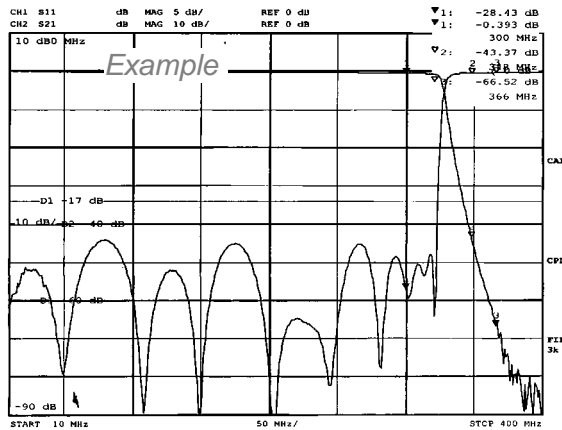




**Wainwright
Instruments GmbH**

Widdersberger Str.14
82346 Andechs, Germany
 Tel.: +49-8152-918230 Fax: +49-8152-918255
 E-Mail: info@wainwright-filters.com
 Internet: www.wainwright-filters.com

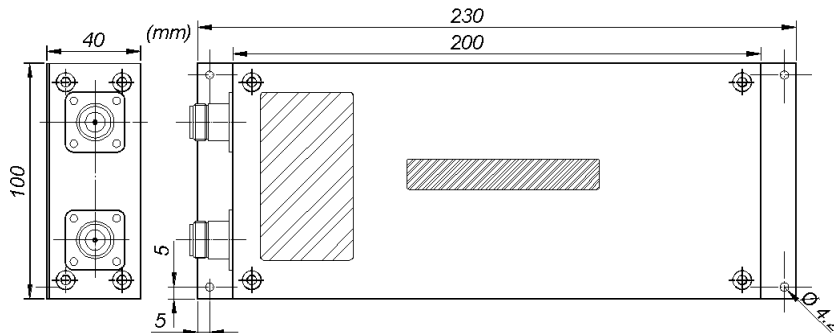
DC to 300 MHz High Power Lowpass Filter Model Number: **WLF 300FB10EE/1000**
*1 kW Power Handling in Passband *)*



Typical response DC to 400 MHz



Model Number
WLF 300FB10EE/1000
 (with N-female connectors)



Specifications	
Passband Loss / Passband:	0.45 dB max. from DC to 300 MHz
Return Loss (50 Ω) in Passband:	17 dB min. = VSWR 1.3 : 1 max.
Attenuation 40 dB min.:	at 348 MHz (1.16 x Fco)
Attenuation 60 dB min.:	at 366 MHz (1.22 x Fco)
Stop Band Limit:	60 dB min. to at least 2000 MHz
Operating Temperature:	-20°C to +70°C
Maximum Power:	1 kW CW in passband - See *) above
Dimensions:	40 mm high x 100 x 200 mm (plus flanges and connectors)
Approx. Weight:	1.0 kg (2.2 lbs)
Mounting Provision:	15 mm flanges on each end with 4.2 mm holes 5 mm from the edge
Connector Code:	N-female = EE on one 40 x 100 mm surface
Prices: When purchasing 1 - 4 pcs.	Euro: € 939,-- US-\$: Will be quoted.
Delivery Terms:	FCA Andechs-Frieding (free carrier) according to <i>Incoterms 2000</i> . In Deutschland liefern wir frachtfrei gemäß CPT <i>Incoterms 2000</i> (unversichert). Regarding payment terms and Warranty see Terms and Conditions .
Test Sheet with Analyzer Curves supplied	

Delivery Time: to be quoted