

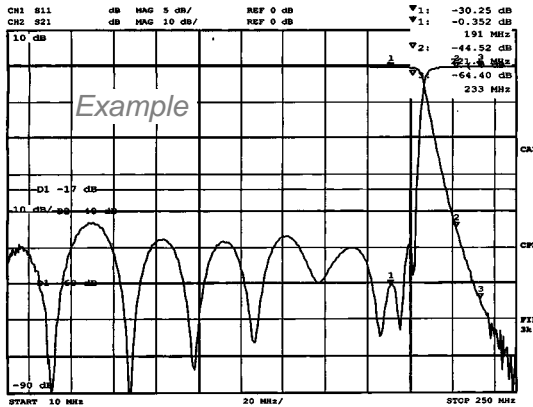


**Wainwright  
Instruments GmbH**

Widdersberger Str.14  
**D82346 Andechs, Germany**  
 Tel.: +49-8152-918230 Fax: +49-8152-918255  
 E-Mail: [info@wainwright-filters.com](mailto:info@wainwright-filters.com)  
 Internet: [www.wainwright-filters.com](http://www.wainwright-filters.com)

**DC to High Power Lowpass Filter**  
**191 MHz 1 kW Power Handling in Passband \*)**

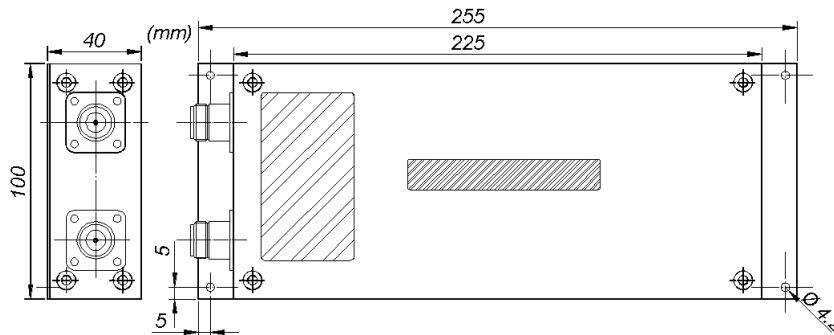
**Model Number:**  
**WLF 191FB10\_\_/1000**  
 (add connector code – see below)



Typical response DC to 250 MHz



**Model Number**  
**WLF 191FB10EE/1000** (with N-female connectors)  
**WLF 191FB10HH/1000** (with 7/16" female connectors)



Specifications		*) Power Handling	
<b>Passband Loss / Passband:</b>	0.4 dB max. from DC to 191 MHz	This filter is designed to handle 1 kW. See: <a href="#">Operating our High Power Filters</a> Any filter damaged by up to 1 kW of RF power in the PASSBAND will be repaired free of charge. Please also see our <a href="#">Warranty</a> in this regard.	
<b>Return Loss (50 Ω) in Passband:</b>	17 dB min. = VSWR 1.3 : 1 max.		
<b>Attenuation 40 dB min.:</b>	at 221.6 MHz (1.16 x Fco)		
<b>Attenuation 60 dB min.:</b>	at 233.0 MHz (1.22 x Fco)		
<b>Stop Band Limit:</b>	60 dB min. to at least 2300 MHz		
<b>Operating Temperature:</b>	-20°C to +70°C		
<b>Maximum Power:</b>	1 kW CW in passband - See *) above		
<b>Dimensions:</b>	40 mm high x 100 x 225 mm (plus flanges and connectors)		
<b>Approx. Weight:</b>	1.7 kg ( 3.75 lbs)		
<b>Mounting Provision:</b>	15 mm flanges on each end with 4.2 mm holes 5 mm from the edge		
<b>Connector Code:</b>	N-female = EE or 7/16"-female = HH on one 40 x 100 mm surface		
Price Basis: see Ord. Inf., Terms, Warranty	<b>PRICES:</b>	<b>Euro:</b> Net price based on shipment ex factory	<b>US-\$:</b> Price includes shipping, import charges and customs duty. **)
When purchasing 1 – 4 pcs.		€ 939,--	<a href="#">Will be quoted.</a>
Test Sheet with Analyzer Curves supplied			
**) Prices in US-\$ for shipments to the USA only. American customers are welcome to purchase at EURO prices and carry postage/freight and import charges directly.			

**Delivery Time:** to be quoted