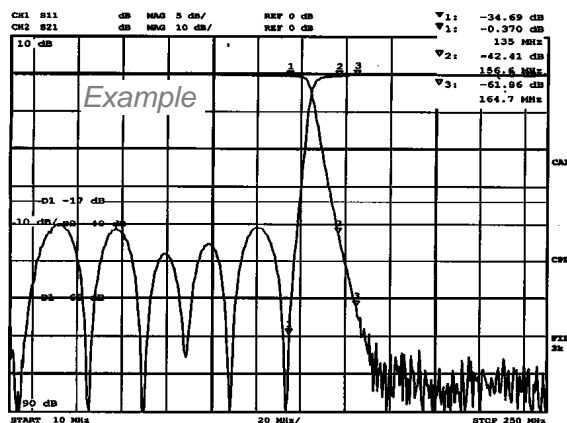




**Wainwright
Instruments GmbH**

Widdersberger Str.14
D82346 Andechs, Germany
 Tel.: +49-8152-918230 Fax: +49-8152-918255
 E-Mail: info@wainwright-filters.com
 Internet: www.wainwright-filters.com

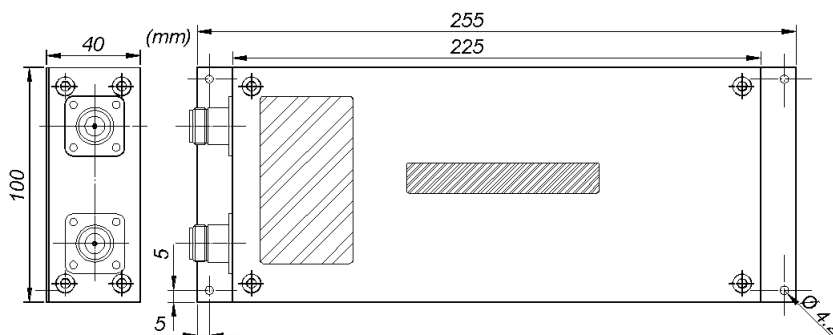
DC to High Power Lowpass Filter Model Number: **WLF 135FB10__1000**
135 MHz 1 kW Power Handling in Passband *) (add connector code – see below)



Typical response DC to 250 MHz



WLF 135FB10EE/1000 (= N-female connectors)
WLF 135FB10HH/1000 (= 7/16" female connectors)



Specifications		*) Power Handling	
Passband Loss / Passband:	0.4 dB max. from DC to 135 MHz	This filter is designed to handle 1 kW.	
Return Loss (50 Ω) in Passband:	17 dB min. = VSWR 1.3 : 1 max.	See: Operating our High Power Filters	
Attenuation 40 dB min.:	at 156.6 MHz (1.16 x Fco)	Any filter damaged by up to 1 kW of RF power in the PASSBAND will be repaired free of charge. Please also see our Warranty in this regard.	
Attenuation 60 dB min.:	at 164.7 MHz (1.22 x Fco)		
Stop Band Limit:	60 dB min. to at least 2300 MHz		
Operating Temperature:	-20°C to +70°C		
Maximum Power:	1 kW CW in passband - See *) above		
Dimensions:	40 mm high x 100 x 225 mm (plus flanges and connectors)		
Approx. Weight:	1.7 kg (3.75 lbs)		
Mounting Provision:	15 mm flanges on each end with 4.2 mm holes 5 mm from the edge		
Connector Code:	N-female = EE or 7/16"-female = HH on one 40 x 100 mm surface		
Price Basis: see Ord. Inf., Terms, Warranty	PRICES:	Euro: Net price based on shipment ex factory	US-\$: Price includes shipping, import charges and customs duty. **)
When purchasing	1 – 4 pcs.	€ 939,--	Will be quoted.
Test Sheet with Analyzer Curves supplied			
**) Prices in US-\$ for shipments to the USA only. American customers are welcome to purchase at EURO prices and carry postage/freight and import charges directly.			

Delivery Time: to be quoted