



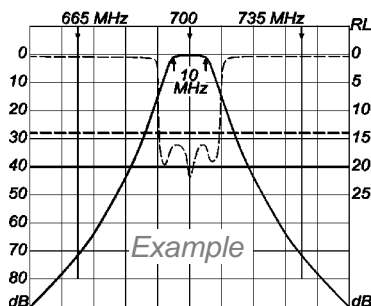
**Wainwright
Instruments GmbH**

Widdersberger Str.14
D82346 Andechs, Germany
 Tel.: +49-8152-918230 Fax: +49-8152-918255
 E-Mail: info@wainwright-filters.com
 Internet: www.wainwright-filters.com

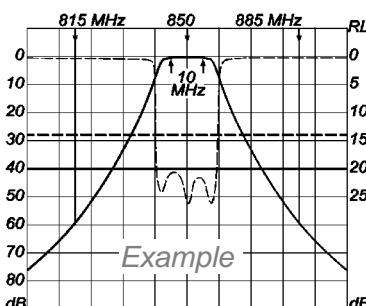
**5 Resonator
Cavity Design
WTCT Series**

Tunable Bandpass Filter
Tuning Range 700 MHz to 1000 MHz
Passband Bandwidth 10 MHz

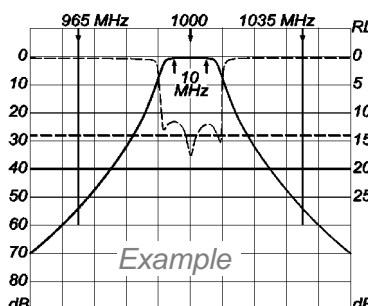
Model No.
WTCT 700/1000-10/40-5
 (add connector code - see below)



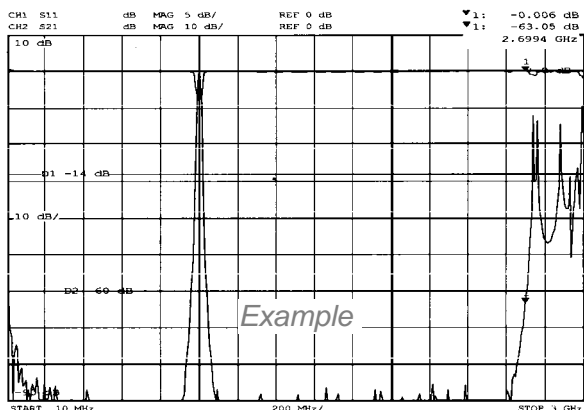
Tuned to 700 MHz



Tuned to 850 MHz

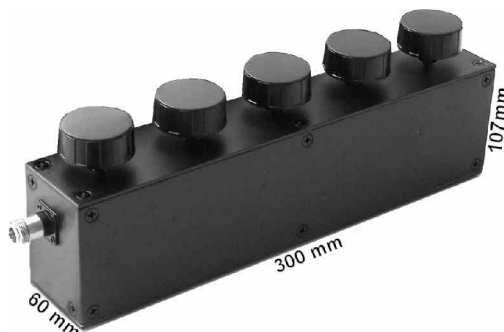


Tuned to 1000 MHz



Example

Model WTCT 700/1000-10/40-5EEK



Specifications		
Passband:	10 MHz (nominal)	
Passband Loss:	1.0 dB max. at Fo / 1.5 dB max. at corners	
Tuning Range:	700 MHz – 1000 MHz	
Power Handling:	Not yet determined.	
Return Loss (50Ω) in Passband:	14 dB min. = VSWR 1.5 : 1 max.	
Reject Attenuation:	40 dB min. at 850 MHz ± 35 MHz	
Stopband:	50 dB min. > 2400 MHz if tuned to 850 MHz	
Operating Temperature:	+15°C to +45°C	
Dimensions:	107 mm high (plus knobs) x 60 x 300 mm (plus connectors)	
Approx. Weight:	3.5 kg (7.7 lbs)	
Mounting Provision:	4 x M4 threaded holes each on all sides - see drawing UMP-1	
Connector Code:	SMA-female = SS or N-female = EE	
Options Codes:	Filters with tuning knobs = K - filters with slots for screwdriver tuning = SD	
Price Basis: see Ord. Inf., Terms, Warranty	PRICES:	Euro: Price based on shipment ex factory
		US-\$: Price includes shipping, import charges and customs duty.*
When purchasing 1 – 4 pcs.	€1.242,--	Will be quoted.
Test Sheet with Analyzer Curves supplied		
* Prices in US-\$ for shipments to the USA only. American customers are welcome to purchase at EURO-prices and carry postage/freight and import charges directly.		

Delivery Time: Will be quoted